

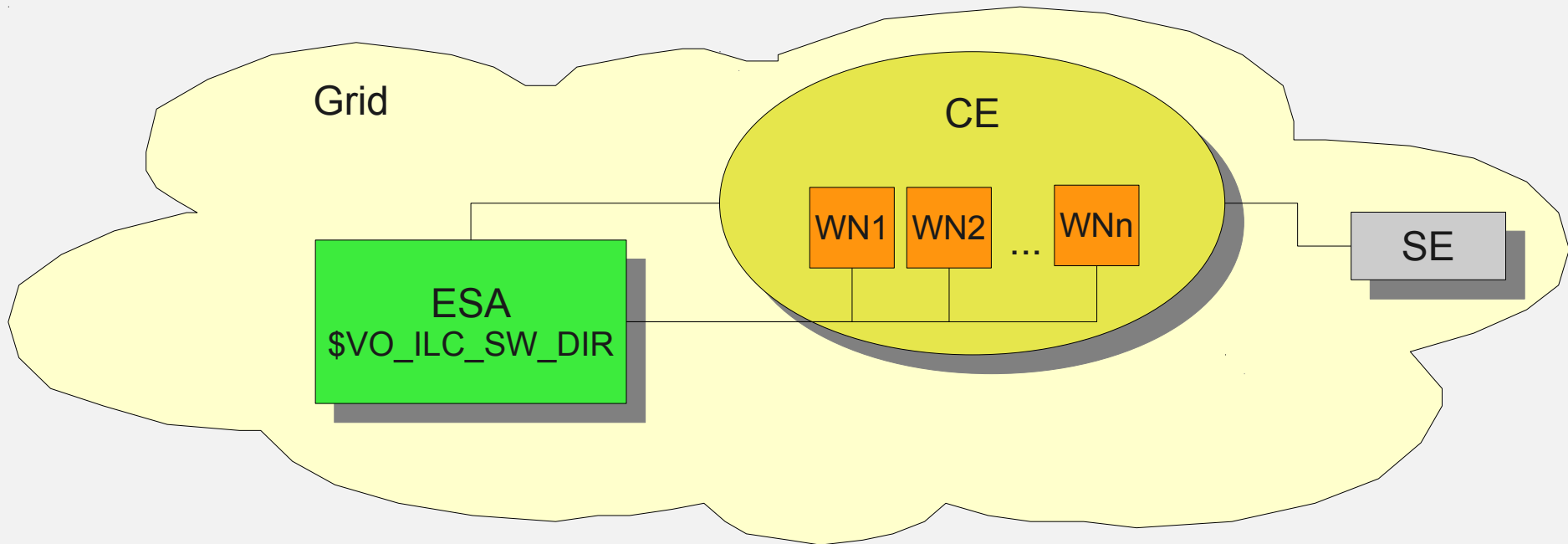


iLCSoft Grid installations

Jan Engels
Desy - IT

6th June 2011

Grid Installation Overview



- iLCSoft reference installations are available on the ESA (Experiment Software Area) for ILC
 - Area is visible to all worker-nodes in a CE
 - Can be referred by the environment variable **`#{VO_ILC_SW_DIR}`**

Using Grid Installations



- Software is located under `$VO_ILC_SW_DIR/ilcsoft`
- For using ilcsoft versions **previous to v01-11**:
 - `source $VO_ILC_SW_DIR/initILCSOFT.sh v01-10`
- For using ilcsoft versions **greater or equal to v01-11**:
 - `source $VO_ILC_SW_DIR/ilcsoft/$ARCH/init_ilcsoft.sh v01-11`
 - where ARCH is:
 - `x86_64_gcc41_sl5` # for SL5 64bit or compatible binaries
 - `i386_gcc41_sl5` # for SL5 32bit or compatible binaries
- See next slide for an example

Using Grid Installations



- How-to use v01-11 example:
 - source \$VO_ILC_SW_DIR/ilcsoft/i386_gcc41_sl5/init_ilcsoft.sh v01-11
 - cp -r \$STANDARDCONFIG/current/ .
 - cd current
 - # run a mokka example:
 - mokka-wrapper.sh -M ILD_00 bbudsc_3evt.steer
 - # check previously created Icio output collections
 - anajob bbudsc_3evt.slcio
 - # reconstruct previously simulated events:
 - ln -s \$LCFIMOKKABASEDNETS/ILD_00 nets
 - export MARLIN_DLL=libMarlinReco.so:libLCFIVertex.so:libMarlinPandora.so
 - Marlin bbudsc_3evt_stdreco.xml
 - # check Icio output collections from reconstruction:
 - anajob bbudsc_3evt_REC.slcio
 - anajob bbudsc_3evt_DST.slcio

'Hello World' grid job for iLCSoft v01-11



```
# mytest.jdl
VirtualOrganisation = "ilc";
Executable = "myscript.sh";
StdOutput = "out";
StdError = "err";
InputSandbox = {"myscript.sh"};
OutputSandbox = {"out","err"};
Requirements = Member( "VO-ilc-ilcsoft-v01-11", other.GlueHostApplicationSoftwareRunTimeEnvironment);
```

```
#!/bin/sh
# myscript.sh

# use ilcsoft v01-11
. $VO_ILC_SW_DIR/ilcsoft/i386_gcc41_sl5/init_ilcsoft.sh v01-11

export MARLIN_DLL=libMarlinReco.so:libLCFIVertex.so:libMarlinPandora.so
Marlin -x
```

Send job with: `glite-wms-job-submit -a mytest.jdl`

Infos and testing



- CE's status and their available ilcsoft installations can be checked at
 - http://ilcsoft.desy.de/grid/ilcsoft_overview.html
 - Choose from the "TAGGED" column the appropriate tag for using a certain version of the ilc software when defining the jdl for your job
 - For example, using the tag VO-ilc-ilcsoft-v01-11 will automatically select a CE with ilcsoft v01-11 installed in \$VO_ILC_SW_DIR
- It is strongly recommended to perform some sanity tests and gather some debugging information before actually running any grid job !!