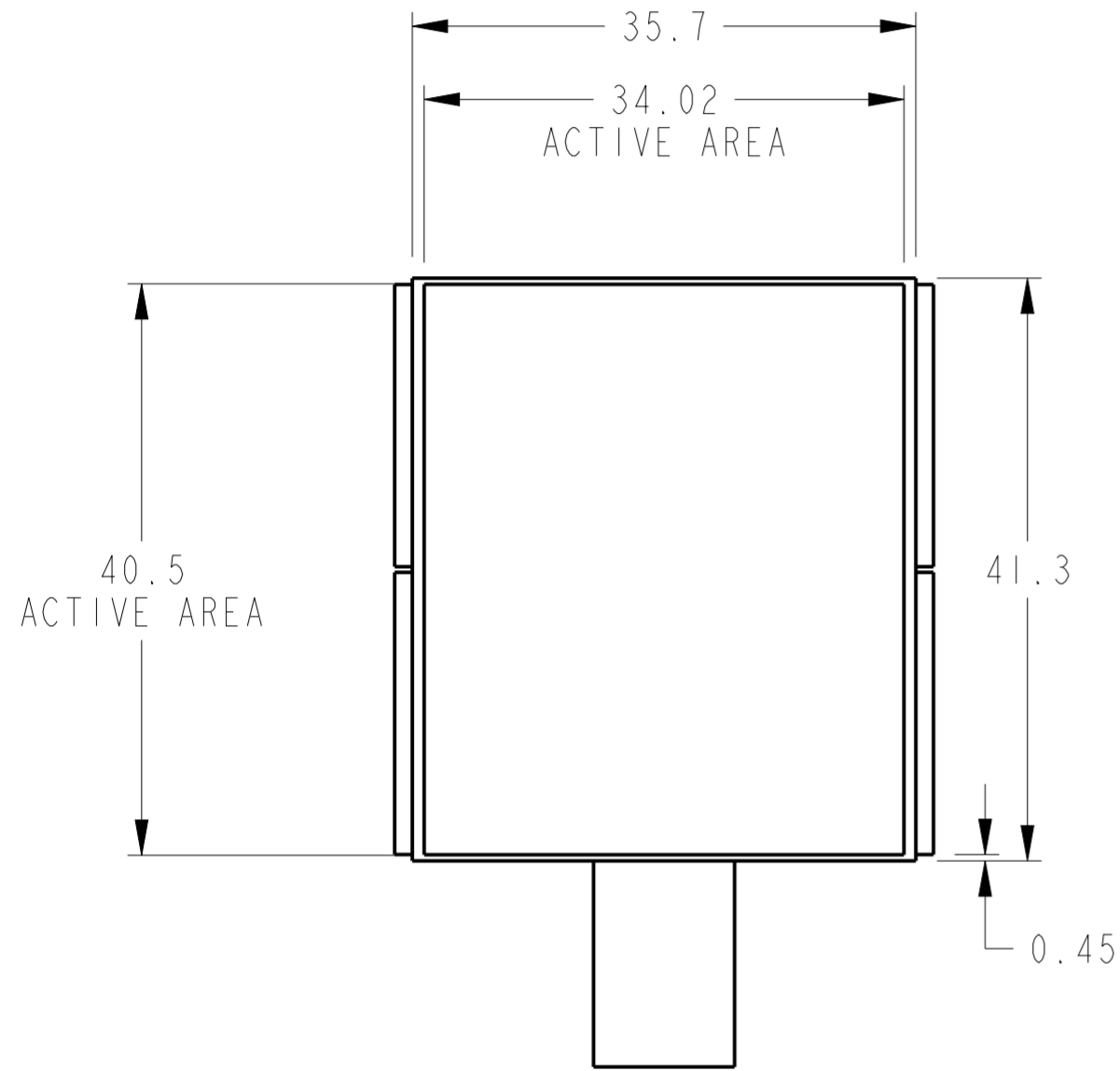
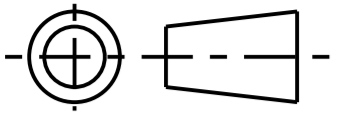
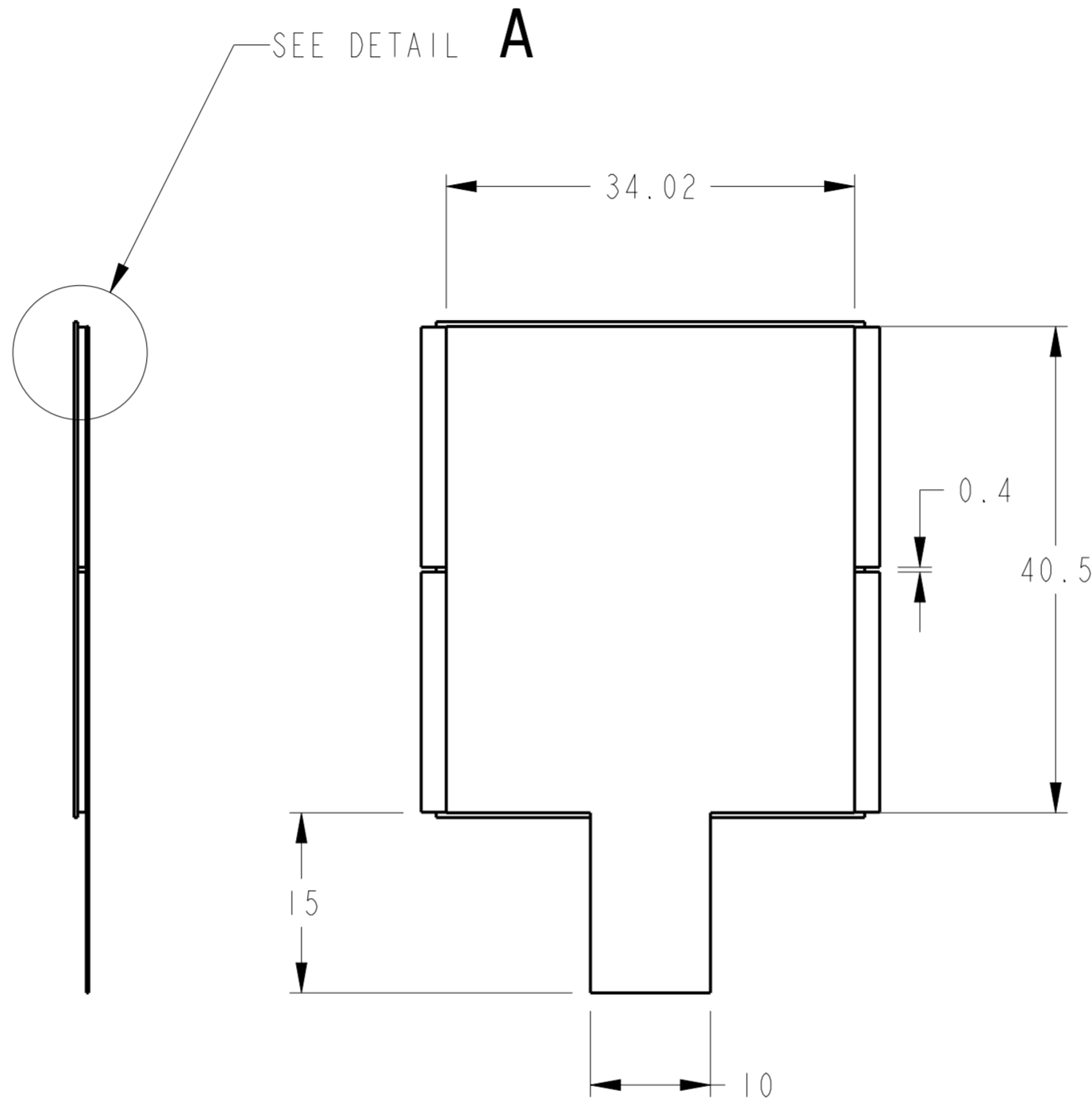


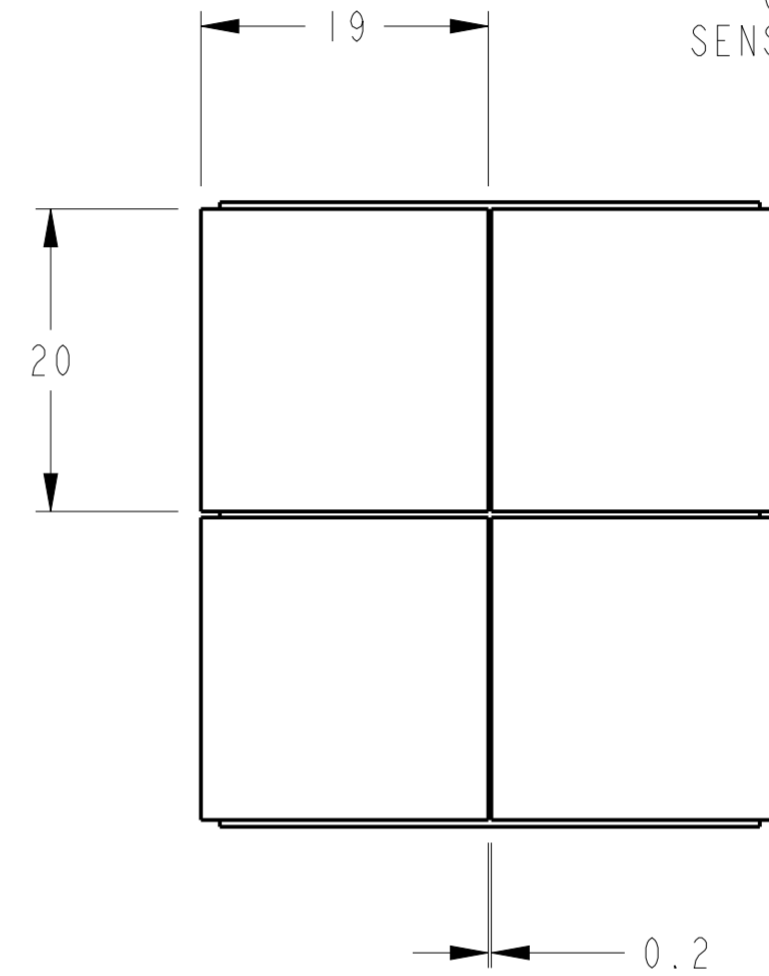
THIRD ANGLE PROJECTION



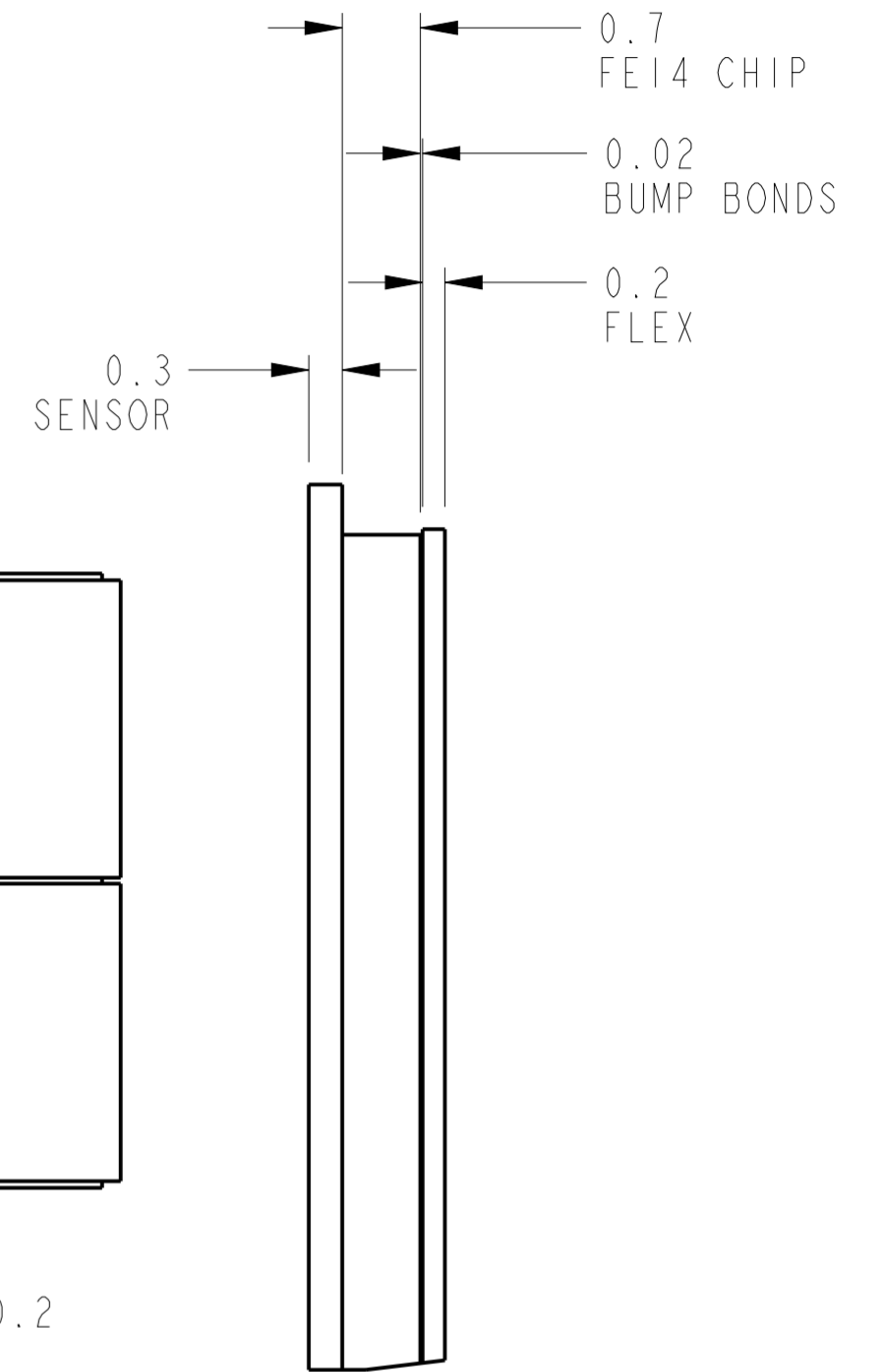
SENSOR SIDE



FLEX SIDE



VIEW SHOWING FEI4 CHIPS



DETAIL A  
SCALE 15:1

THE UNIVERSITY OF LIVERPOOL  
DEPARTMENT OF PHYSICS

PROJECT SLHC PIXEL

TITLE PIXEL DISK QUAD MODULE

DRAWING NUMBER NP49-04-03

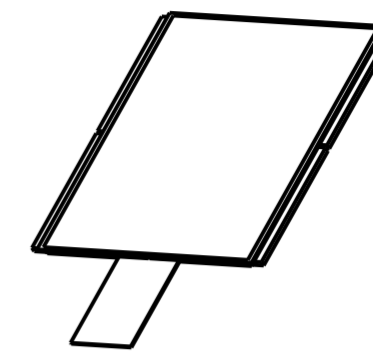
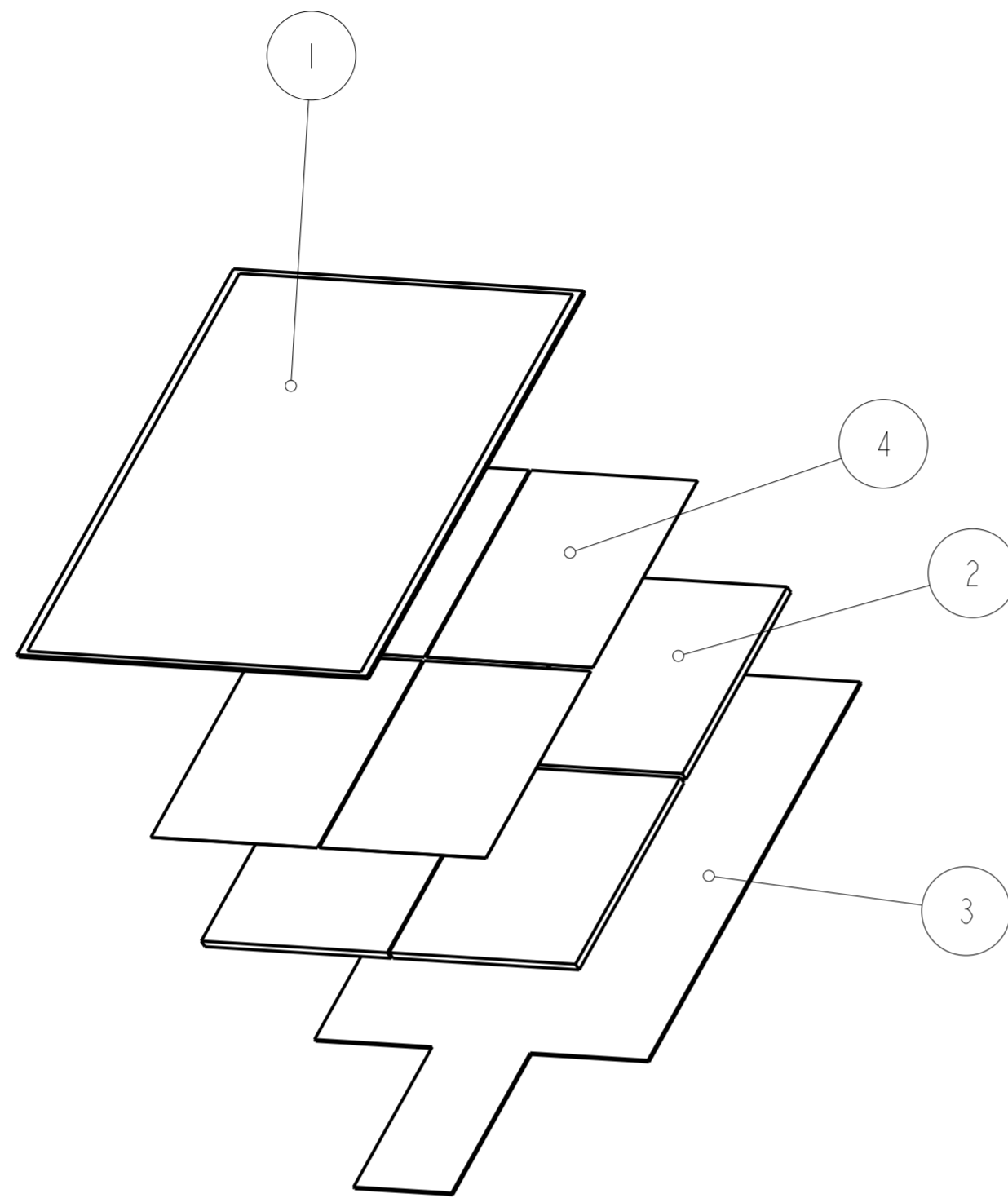
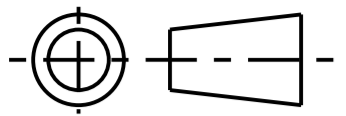
ARRGT. DRAWING NP49-04-01

UNLESS OTHERWISE SPECIFIED:- ALL DIMENSIONS IN MILLIMETRES SURFACE TEXTURE VALUES IN MICROMETRES SURFACE TEXTURE TO BE - ✓ MACHINE ALL OVER OR WHERE MARKED ✓	METRIC SCREW THREADS TO BS3643 CLASS 6H/6g	DRAWING PRACTICE AND TOLERANCE INTERPRETATION TO BS308		WELDING SYMBOLS TO BS 499	
	TOLERANCES UNLESS OTHERWISE SPECIFIED	MATERIAL	SEE PARTS	DRAWN	P.SUTCLIFFE
	MACHINED DIMS. ± -	SPEC	SEE PARTS	DATE	16-Nov-12
	ANGULAR ± 2°	TREATMENT	SEE PARTS	CHECKED	PS
	REMOVE BURRS AND BREAK SHARP EDGES	FINISH	SEE PARTS	APPROVED	TJ

SHEET 1 OF 2 SHEETS SCALE:-2:1 A2

A	16-Nov-12	P.SUTCLIFFE	FIRST ISSUE
ISSUE	DATE	NAME	DESCRIPTION
MODIFICATIONS			

THIRD ANGLE PROJECTION



SCALE 1:1

ITEM	PART/CAD No	DWG TITLE	MATERIAL	REMARK	QTY
1	NP49-04-03-01	QUAD MODULE SENSOR	SILICON	0.3mm THICK	1
2	NP49-04-03-02-FE14	FE14 CHIP	SILICON	0.75mm THICK	4
3	NP49-04-03-FLEX	QUAD MODULE FLEX	KAPTON/COPPER	0.2mm THICK	1
4	NP49-04-03-BB	BUMP BONDS	INDIUM OR TIN	0.02mm THICK	4

**THE UNIVERSITY OF LIVERPOOL**  
DEPARTMENT OF PHYSICS

PROJECT SLHC PIXEL

TITLE  
PIXEL DISK QUAD MODULE

DRAWING NUMBER  
**NP49-04-03**

ARRGT. DRAWING  
NP49-04-03

UNLESS OTHERWISE SPECIFIED:- ALL DIMENSIONS IN MILLIMETRES SURFACE TEXTURE VALUES IN MICROMETRES SURFACE TEXTURE TO BE - ✓ MACHINE ALL OVER OR WHERE MARKED ✓	METRIC SCREW THREADS TO BS3643 CLASS 6H/6g	DRAWING PRACTICE AND TOLERANCE INTERPRETATION TO BS308		WELDING SYMBOLS TO BS 499	
	TOLERANCES UNLESS OTHERWISE SPECIFIED	MATERIAL	SEE PARTS	DRAWN	P.SUTCLIFFE
	MACHINED DIMS. ± -	SPEC	SEE PARTS	DATE	16-Nov-12
	ANGULAR ± 2°	TREATMENT	SEE PARTS	CHECKED	PS
REMOVE BURRS AND BREAK SHARP EDGES	DO NOT SCALE	FINISH	SEE PARTS	APPROVED	TJ

SHEET 2 OF 2 SHEETS SCALE:-2:1 A2

A	16-Nov-12	P.SUTCLIFFE	FIRST ISSUE
ISSUE	DATE	NAME	DESCRIPTION
MODIFICATIONS			