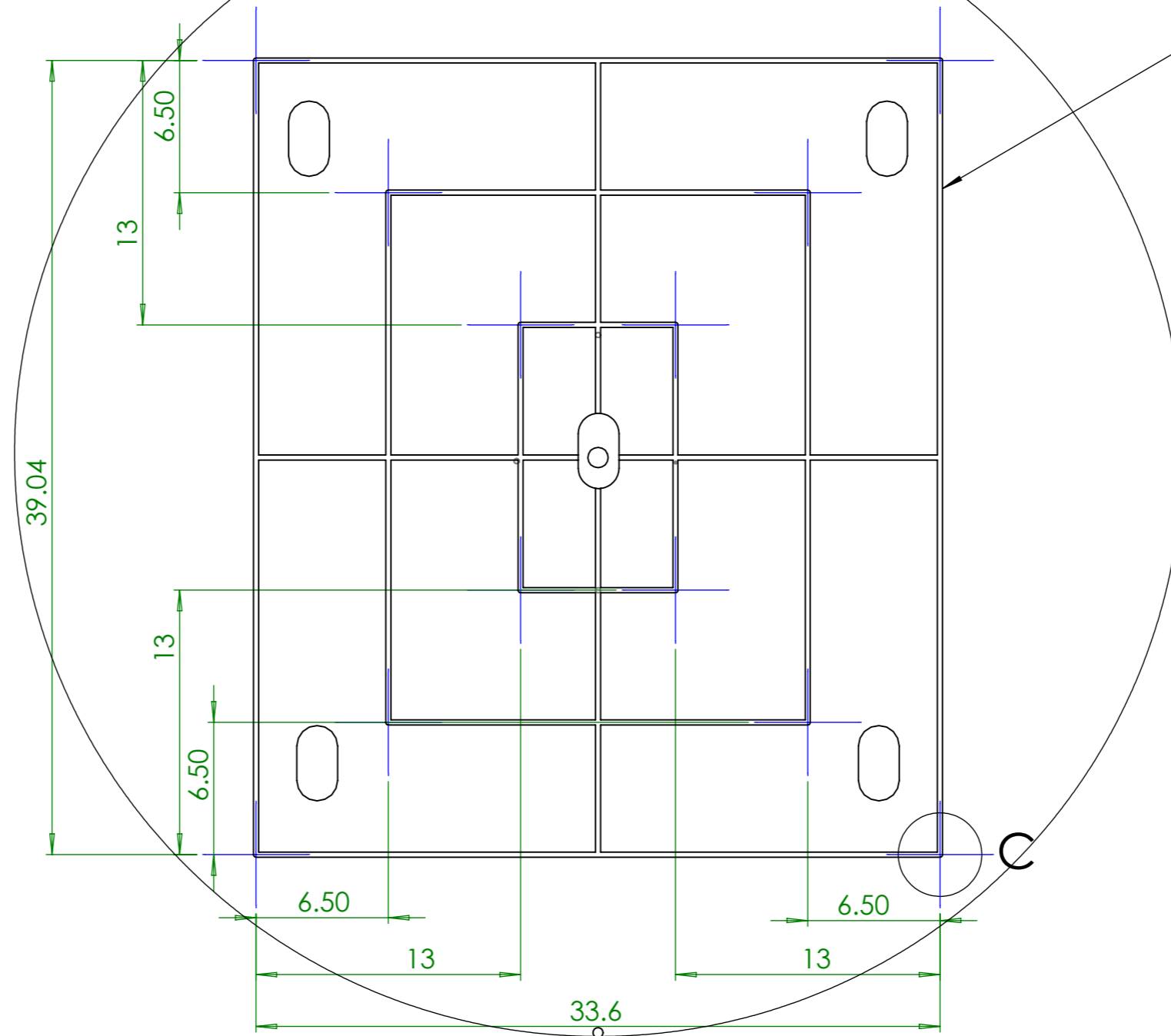
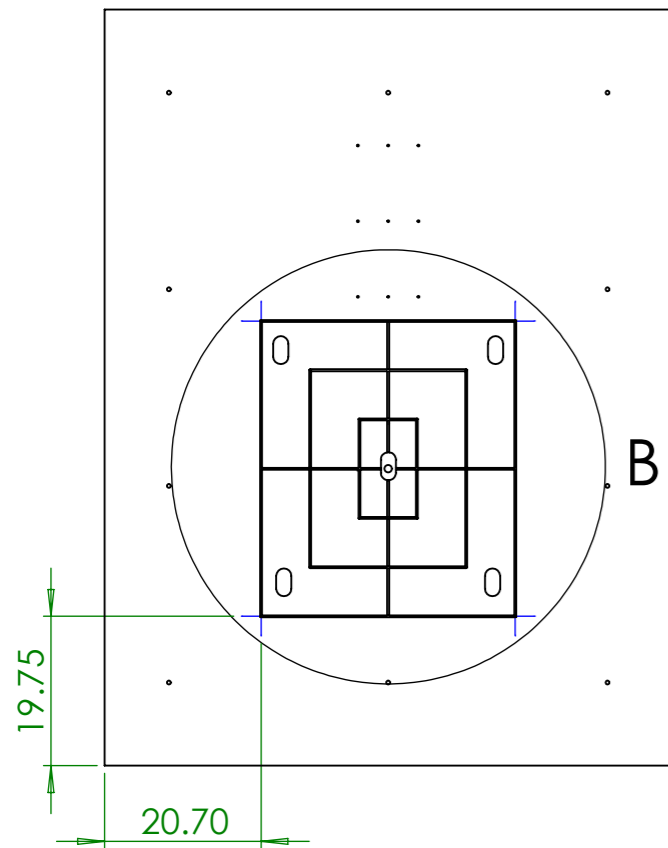


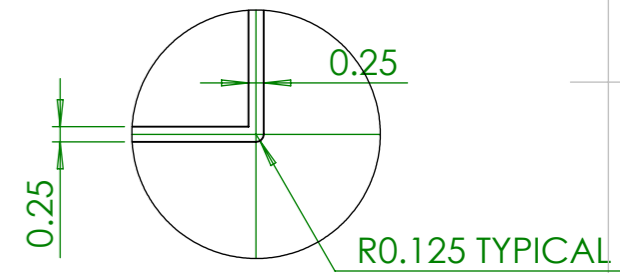
NOTES (UNLESS OTHERWISE SPECIFIED):		DO NOT SCALE DRAWING		A3
DIMENSIONS ARE IN MILLIMETERS		UNLESS STATED		
GENERAL TOLERANCES:		QUANTITY:		
0<X<50mm:	±0.1mm	add quantity		
50<X<150mm:	±0.2mm	MATERIAL:		
100<X<1000mm:	±0.3mm	ALU		
1000>:	±0.5mm	SURFACE TEXTURE (µm):		
ANGULAR:	±0.2°	add surface texture		
1.		UNLESS STATED		
		FINISH:		
		add finish		
		DRAWN		
		NAME		
		DATE		
		LC		14/08/2014
		CHK'D		
		APPV'D		
		PROJECT:		
		SUB-SYSTEM:		
		ASSEMBLY:		
		PART NAME:		
		flex pickup chuck assmb		
		flex pickup chuck		
		DWG NO.		
		LC_PPE_AUG_063		
		REV:		
		v1		
		SCALE:1:2		
		PROJ:		
		SHEET 1 OF 2		



DETAIL B SCALE 3.5 : 1



CUT CHANNEL 0.25 WIDE ∇ 0.2
AS SHOWN
ALL DIMENSIONS TO CENTRE MARK
CORNERS R 0.125



DETAIL C SCALE 8 : 1

NOTES (UNLESS OTHERWISE SPECIFIED):

DIMENSIONS ARE IN MILLIMETERS

GENERAL TOLERANCES:
 0<X<50mm: ± 0.1 mm
 50<X<150mm: ± 0.2 mm
 100<X<1000mm: ± 0.3 mm
 1000>: ± 0.5 mm
 ANGULAR: $\pm 0.2^\circ$

1.

QUANTITY: add quantity

MATERIAL: ALU

SURFACE TEXTURE (μ m):
 add surface texture
 ∇ UNLESS STATED

FINISH: add finish

	NAME	DATE
DRAWN	LC	14/08/2014
CHK'D		
APPV'D		

DO NOT SCALE DRAWING

A3



PROJECT:
 SUB-SYSTEM:
 ASSEMBLY: flex pickup chuck assmb
 PART NAME: flex pickup chuck

DWG NO. LC_PPE_AUG_063 REV: v1

SCALE: 1:2 PROJ: SHEET 2 OF 2