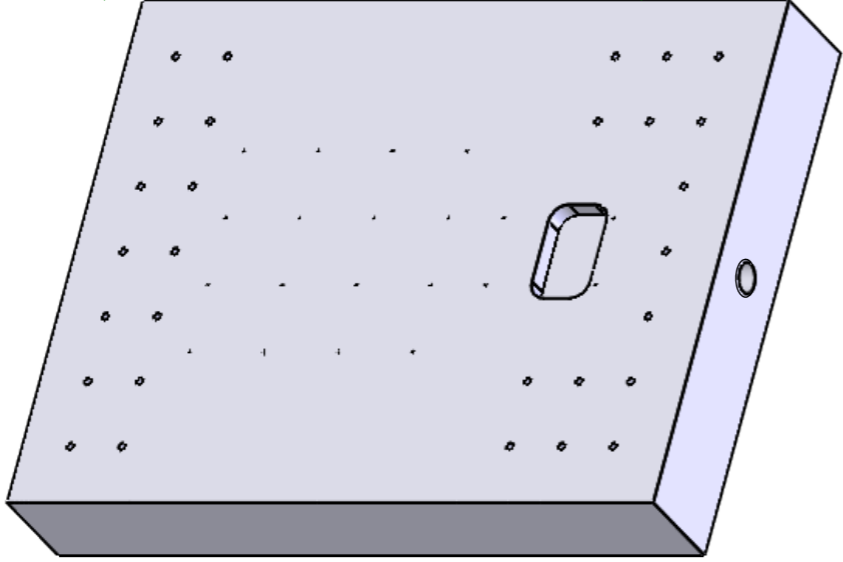
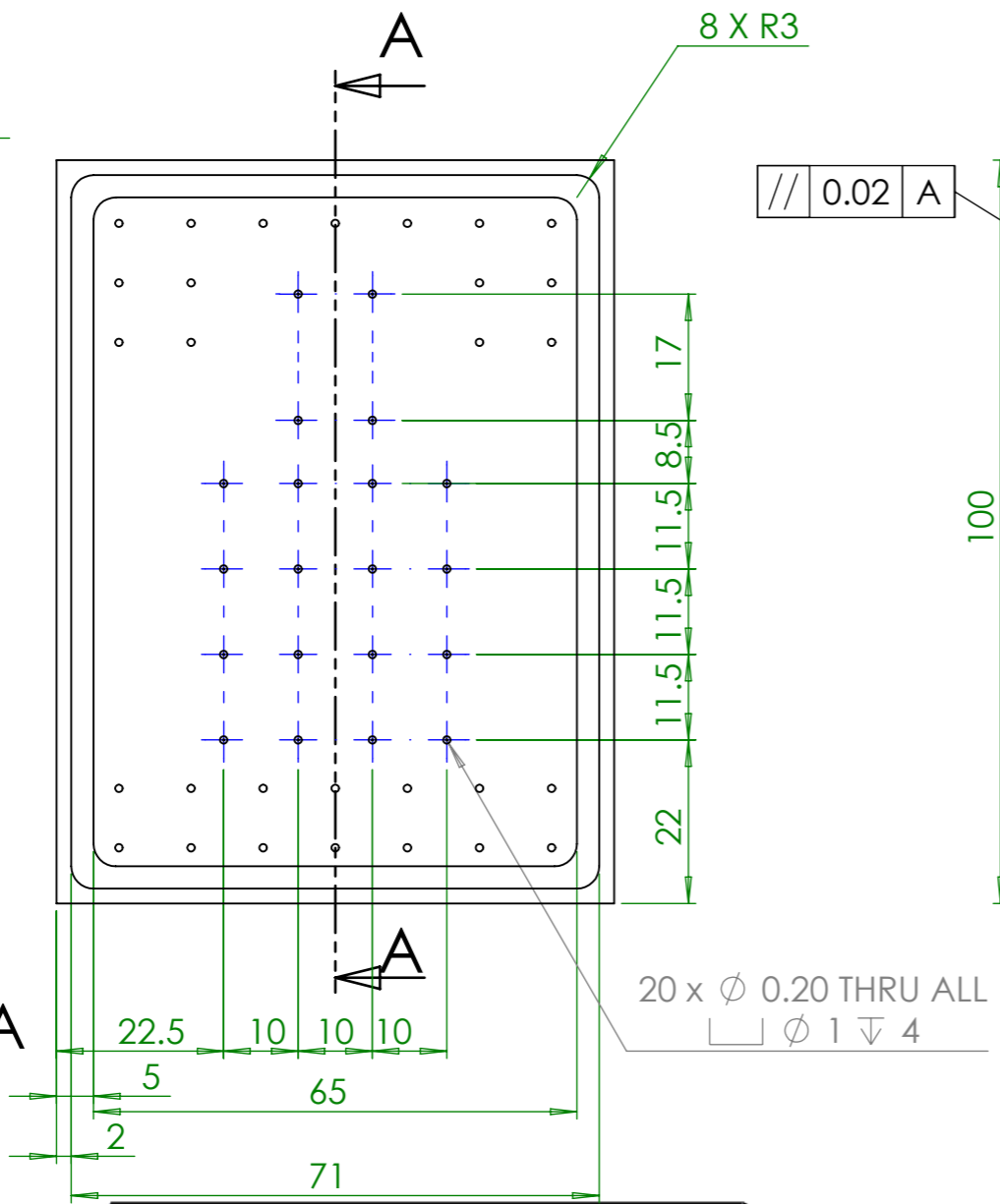
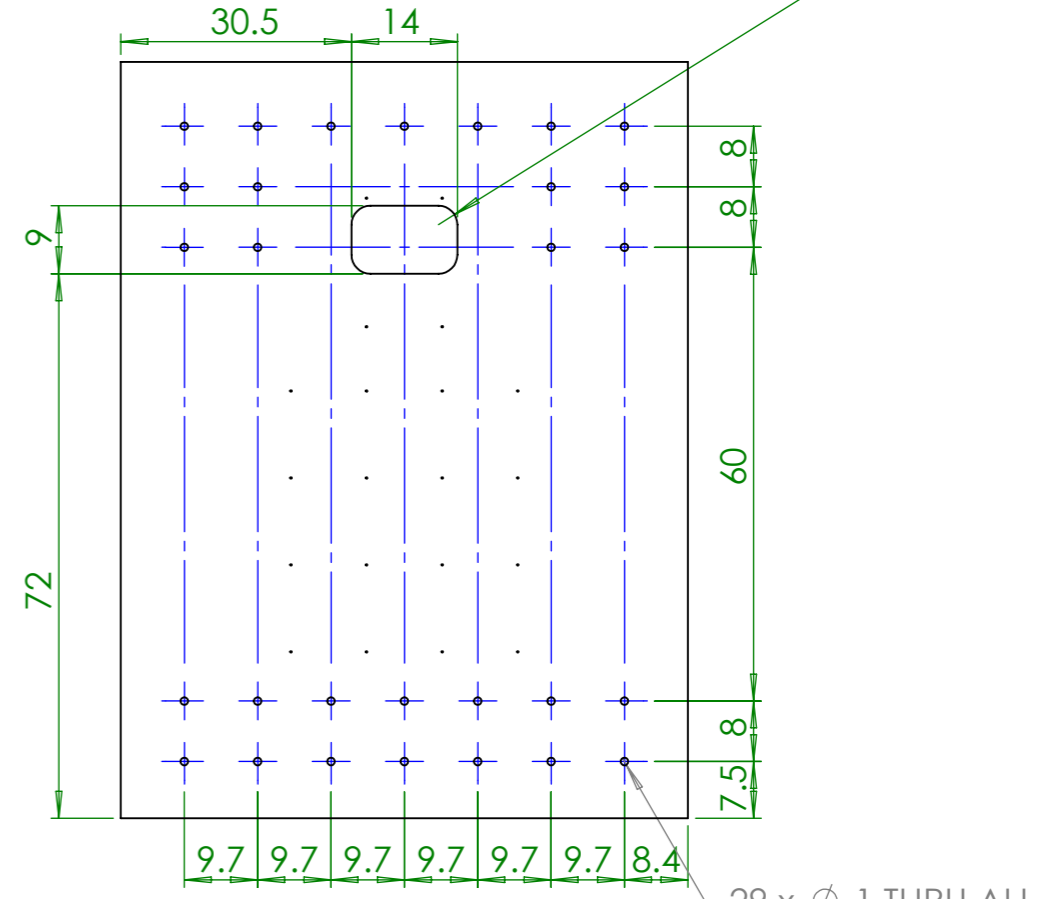
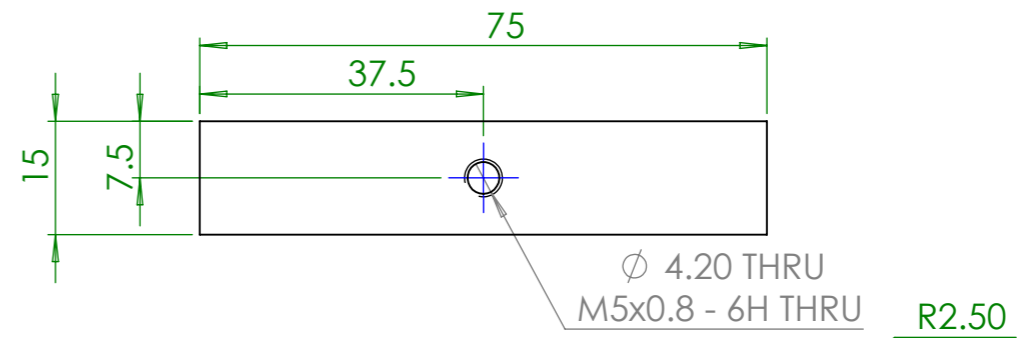


SECTION A-A



20 x ϕ 0.20 THRU ALL
 \square ϕ 1 ∇ 4



NOTES (UNLESS OTHERWISE SPECIFIED):

DIMENSIONS ARE IN MILLIMETERS
 GENERAL TOLERANCES:
 0<X<50mm: \pm 0.1mm
 50<X<150mm: \pm 0.2mm
 100<X<1000mm: \pm 0.3mm
 1000>: \pm 0.5mm
 ANGULAR: \pm 0.2°
 1. DEBUR AND BREAK SHARP EDGES

QUANTITY: 1
 MATERIAL: ALU
 SURFACE TEXTURE (μ m): 1.6
 UNLESS STATED
 FINISH: add finish

	NAME	DATE
DRAWN	LC	31/08/2016
CHK'D		
APPV'D		

DO NOT SCALE DRAWING A3

Department of Physics and Astronomy
 Institute for Gravitational Research

PROJECT:
 SUB-SYSTEM:
 ASSEMBLY: flex vacuum chuck assmb
 PART NAME: flex vacuum chuck

DWG NO. LC_PPE_AUG_060 REV: v2

SCALE: 1:1 PROJ:

SHEET 1 OF 2